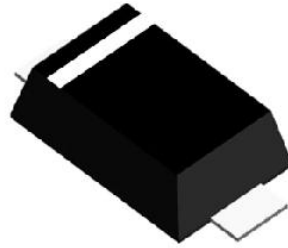


1. Finish Goods PKG photo



2. Packing method

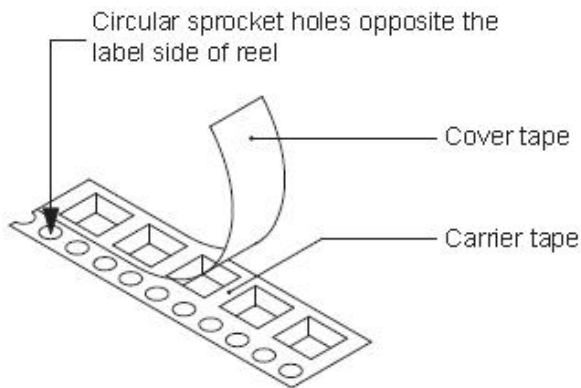
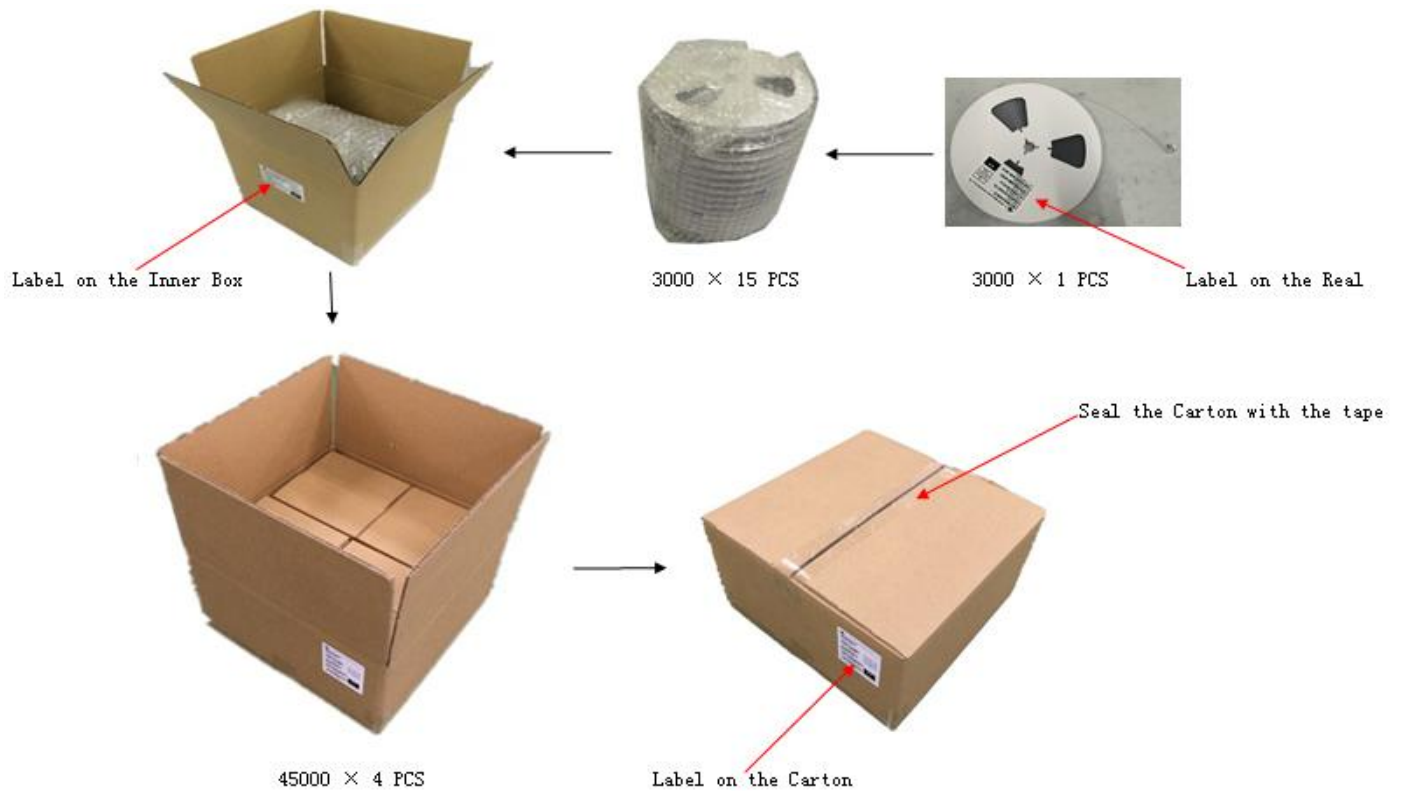


Fig.1- Reel pack for SMD

Table 1. Packing information

Package version	Reel dimensions ϕ (mm)	Pcs/reel (pcs)	Per reel weight (Kg)	Reels Inner box	Inner box weight (Kg)	Inner box dimensions L×W×H (mm)	Outer box weight (Kg)
SOD-123SL	$\Phi 178 \times 12.3$	3000	0.1256	15	0.7427	209*204*199	9

Package version	Box (pcs)	Boxes per Carton	Carton dimensions L×W×H (mm)
SOD-123SL	45000	4	433*428*213

3. Product orientation

Standard product orientation SOD-123SL

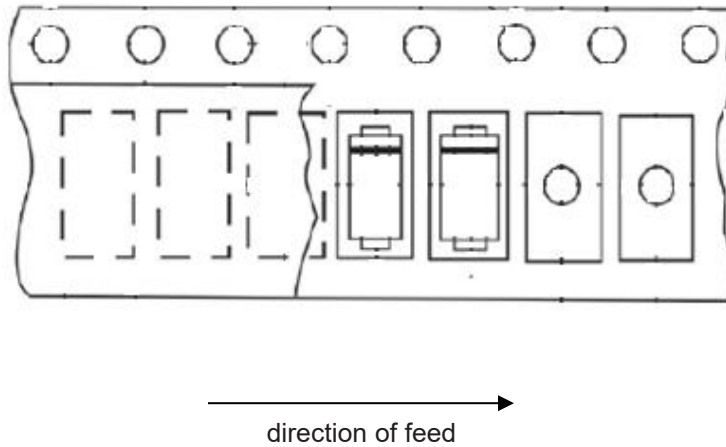


Fig 2. Product orientation in carrier tape

4. Carrier tape dimensions

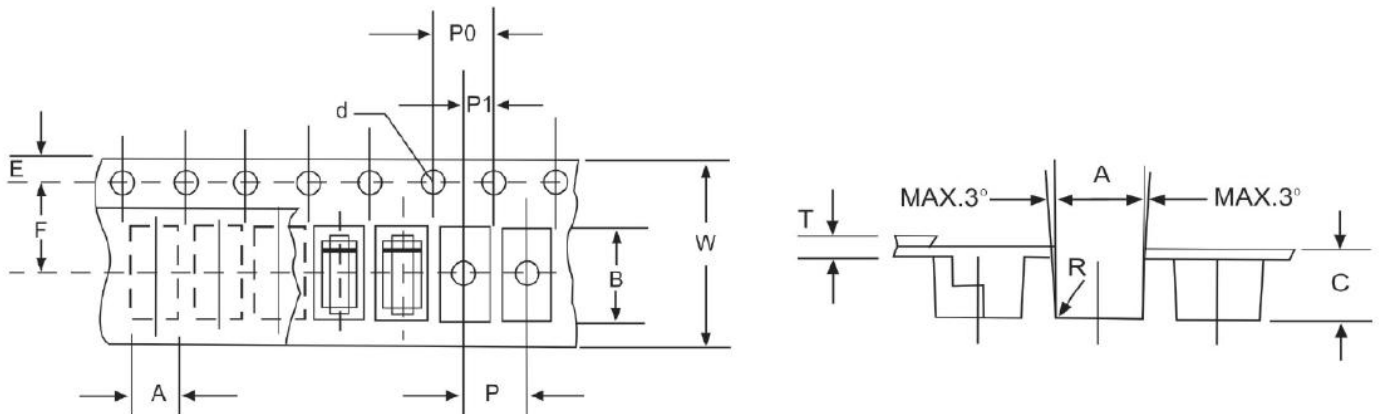


Fig 3. Carrier tape dimensions

5. Reel dimensions

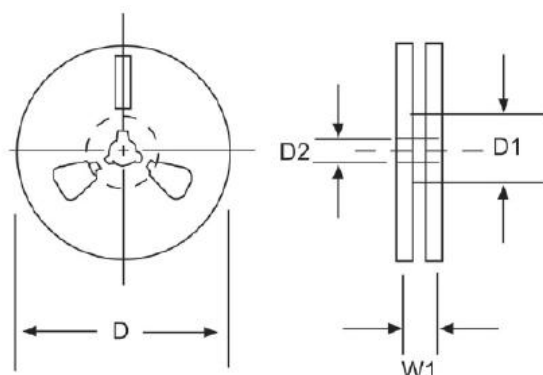


Fig 4. Reel dimensions

Table 2. Carrier tape dimensions

ITEM	SYMBOL	SOD-123SL mm(inch)
Carrier width	A	2.15+0.1(0.112+0.004)
Carrier length	B	3.95+0.1(0.187+0.004)
Carrier depth	C	1.35+0.1(0.056+0.004)
Sprocket hole	d	1.55+0.1(0.061+0.004)
Reel outside diameter	D	178+2.0(7.0+0.079)
Reel inner diameter	D1	8.0+0.2(0.315+0.008)
Feed hole diameter	D2	13+0.5(0.512+0.020)
Sprocket hole position	E	1.75+0.1(0.069+0.004)
Punch hole position	F	3.50+0.1(0.217+0.002)
Punch hole pitch	P	4.0+0.1(0.157+0.004)
Sprocket hole pitch	P0	4.0+0.1(0.157+0.004)
Embossment center	P1	2.0+0.1(0.079+0.004)
Total tape thickness	T	0.22-0.26(0.009-0.010)
Tape width	W	8.0+0.3/-0.1(0.315+0.012/-0.004)
Reel width	W1	10.0+2.0(0.394+0.079)